

PART
NAME

STEM LEVELER

PART
No.

RL-7766, RL-7767, RL-7771

REV.
DATE

10-29-08

LOAD RATING:

ALL LEVELERS _____ 200 LBS.

MATERIAL:

STEMS & CAPS, HEX NUTS _____ STEEL

PADS _____ AS NOTED

FINISH:

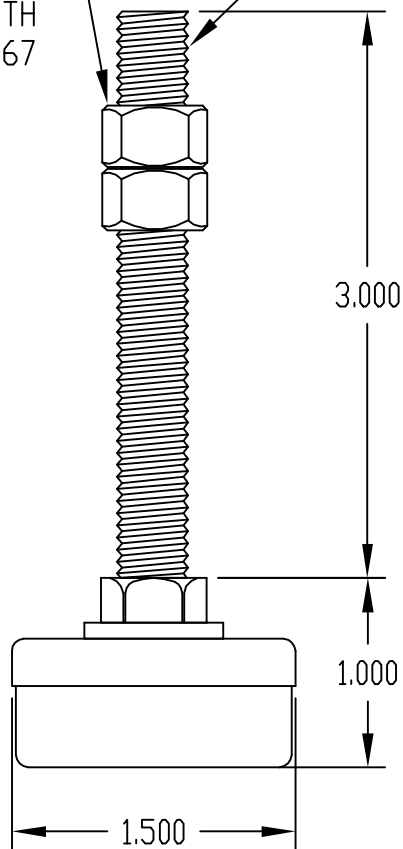
STEMS & CAPS _____ ZINC PLATE WITH
CLEAR CHROMATE

HEX NUTS _____ ZINC PLATE

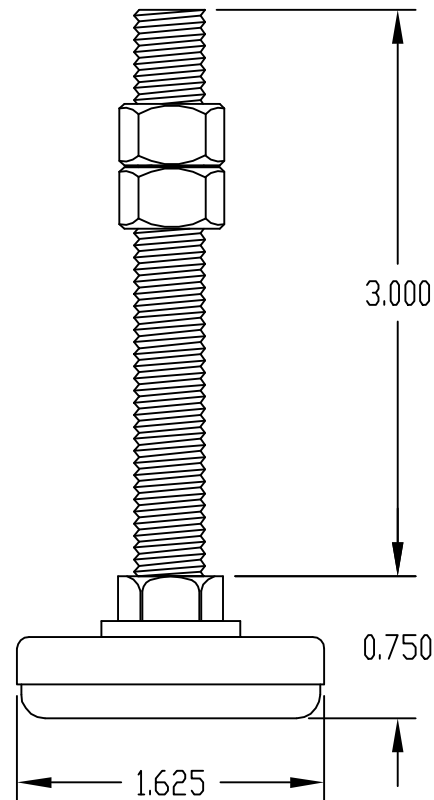
PADS _____ AS NOTED

QTY. (2) HEX NUTS
SUPPLIED WITH
RL-7766 & RL-7767

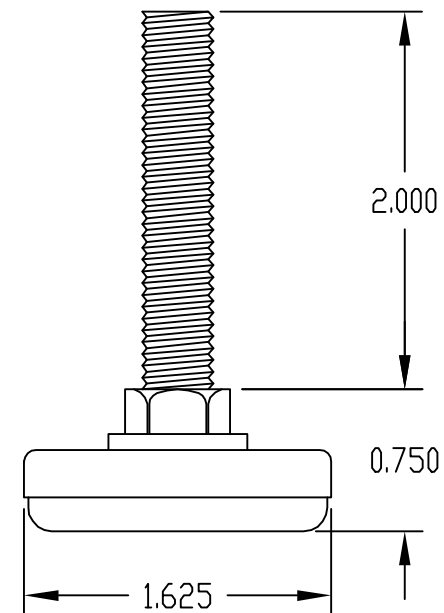
3/8-16 THREAD
TYP. ALL STEMS



RL-7766
GREY RUBBER PAD



RL-7767
WHITE NYLON PAD



RL-7771
WHITE NYLON PAD
HEX NUTS NOT SUPPLIED